

BORDER CONTROLLER BOX

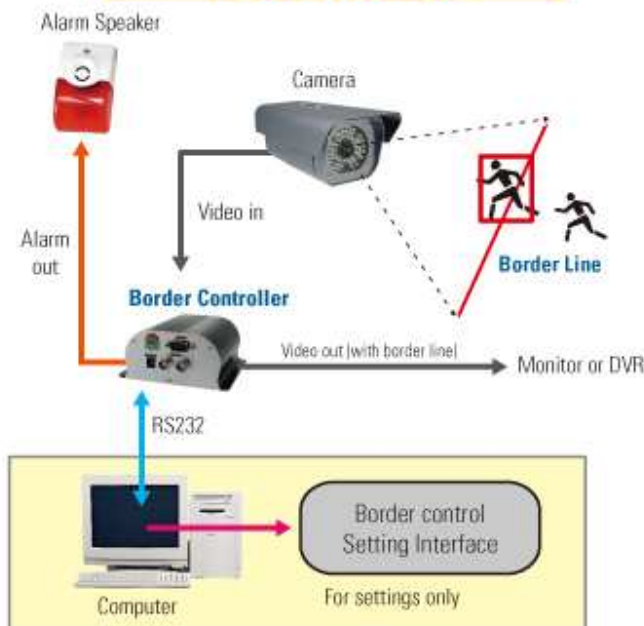
BC-01



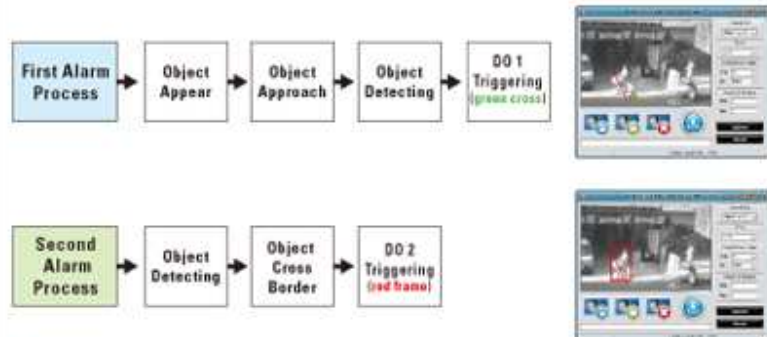
▶ FEATURES

- . Preventing illegal border crossing of persons, vehicles, cargo and others
- . Adjustable border line parameter settings
- . Smart alarm notify
- . Send alarm signal upon Event and Emergency

INSTALLATION



SETTING TOOL

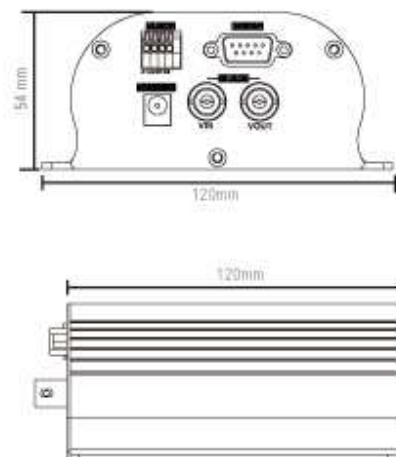


Note:

Before use the alarm function, Border control box must connect the Alarm out 1 (Object detected) to Alarm speaker, and the Alarm out 2 (Object across) to Alarm speaker as well, the Border control box will be automatically send alarm message.

► SPECIFICATIONS

Model Number	BC-01
Video Format	NTSC or PAL
Video-In	One port (A/V); 1 Vp-p / 75ohm
Video Output	One port (A/V); 1 Vp-p / 75ohm
Alarm Output	x2
RS232	Connect to PC through RS232
Function Setup	Border Control Interface with: <ul style="list-style-type: none"> - Border line setting - Direction setting - Object size setting - Snapshot - Sensitivity setting
Power Source	DC5V 1A
Power Consumption(+/-0%)	1.5W
Operation Temperature	-10 °C ~ +60 °C
Dimension(mm)	54(H) x 120(W) x 120(L)
Weight(N.W)	0.5kg



Design and specifications are subject to change without notice.